

Important!

SAVE THESE INSTRUCTIONS

The models shown in this document may not be available in all markets and are subject to change at any time. For current details about model and specification availability in your country, please go to our website www.fisherpaykel.com or contact your local Fisher & Paykel dealer.

① SAFETY AND WARNINGS

⚠ WARNING!



Electrical shock hazard

Always disconnect the appliance from the mains electricity supply before carrying out any servicing or maintenance operations.

Failure to do so could result in electrical shock or death.

⚠ WARNING!



Cut Hazard

Take care - panel edges are sharp.

Failure to use caution could result in injury or cuts.

Important safety precautions!

- To avoid hazard, read and follow these instructions carefully before installing or using this appliance.
- Please make this information available to the person installing the appliance, as it could reduce your installation costs.
- This appliance is to be installed and connected to the electricity supply only by a qualified electrician.
- Installation must comply with your local building and electricity regulations.
- Failure to install the appliance correctly could invalidate any warranty or liability claims.
- This appliance is designed for permanent fixture and has to be connected to the mains electricity supply.
- The appliance must not be installed above cookers with eye-level grills.
- The appliance is heavy, take care when lifting or handling.

Before you install the appliance, please make sure that

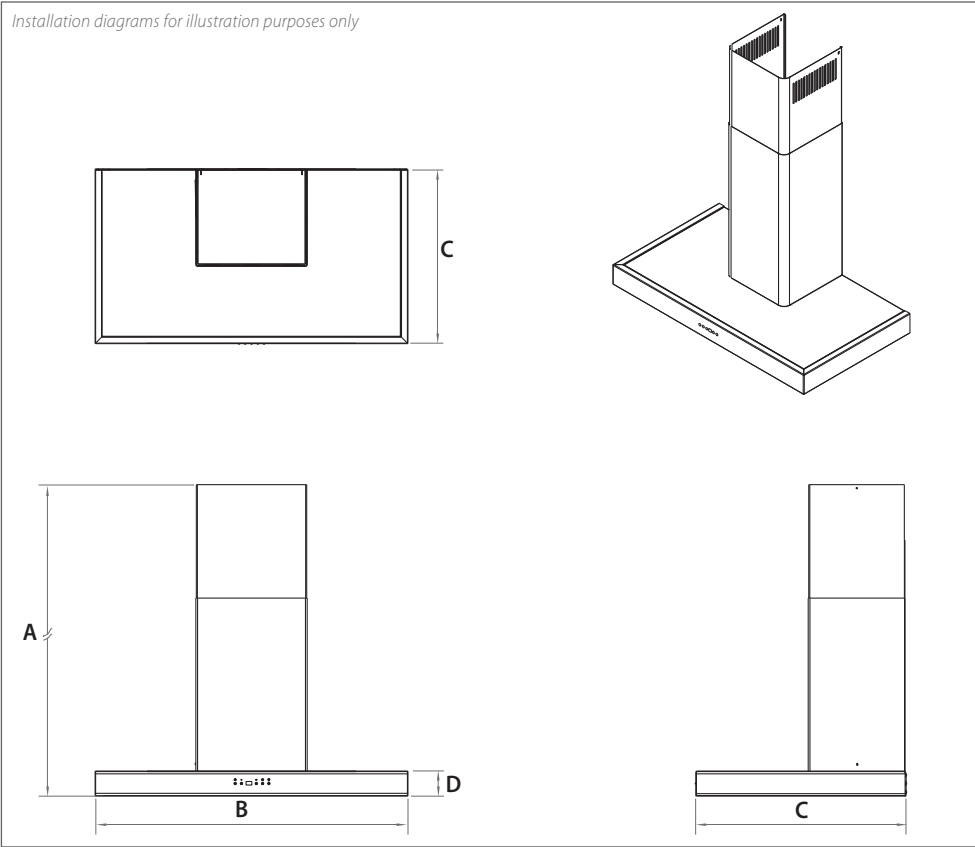
- the voltage (V) and frequency (Hz) indicated on the serial number plate as well as the specifications on the rating plate on the inside of the appliance correspond to the voltage and frequency of the mains supply.
- the room in which the appliance is installed is well-ventilated.
- the wall is able to withstand the total weight (34 kg) of the appliance mounted on it.
- if the air is to be ducted, the flue is in good condition, especially if it has been out of use for a long period of time.
- If the air is to be ducted, it will not be discharged into a flue that is used for exhausting fumes from appliances burning gas or other fuels.
- the installation will comply with laws and regulations regarding ducting waste gases.
- for optimal efficiency, use smooth ducting for reduced noise and increased airflow. Flexible ducting should only be used as a last resort.

When you install the appliance, please make sure that

- a suitable isolating switch is incorporated in the permanent wiring, mounted and positioned to comply with the local wiring rules and regulations. The switch must be of an approved type installed in the fixed wiring and have a contact separation in all poles that provide full disconnection under overvoltage category III conditions.
- it is not installed and connected to flues where other appliances are installed and which run off energy supplies other than electricity (eg water heaters, boilers, gas cookers).
- the mains cable (type H05VV-F 3x0.75 mm²) is connected to terminals marked with the letters L (power line) and N (neutral) mounted on the appliance and is secured in position by a cable gland.
- the mains cable is connected to a suitable and easily accessible fixed power outlet or isolating switch.
- the power outlet or isolating switch remains accessible after installation and the appliance can be disconnected from the electricity supply.
- exhaust air is not discharged into a heating flue or wall cavity, unless the cavity is designed for that purpose.
- If you install using the external ducting through a side wall, ensure the surface area of the external venting grill is no smaller than 150 cm².
- the glass and stainless steel components are handled with care. These are easily damaged if abraded or knocked by tools.

② PRODUCT DIMENSIONS

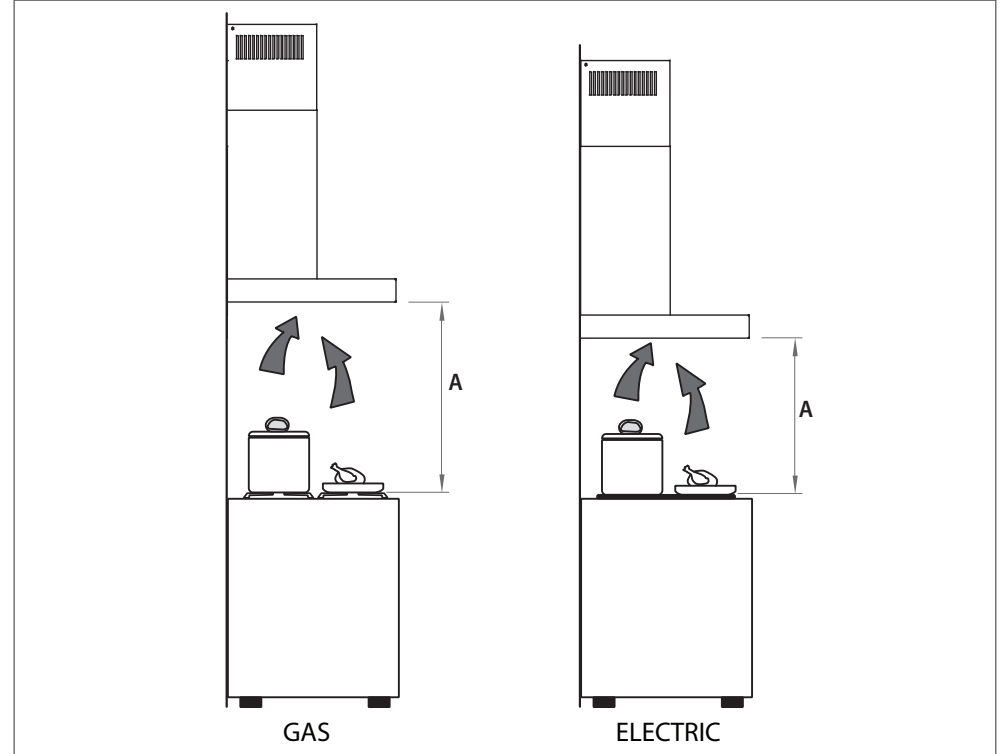
Installation diagrams for illustration purposes only



Product dimensions (mm)

	HC90	
A	overall height of product (adjustable)	939
B	overall width of product	898
C	overall depth of product	470
D	height to fixed flue section	62

③ CLEARANCE DIMENSIONS



Clearances (mm)

		HC90
A	minimum clearance from bottom of VentSurface to:	
	trivets or pot support surface of gas cooktops	750
	pot support surface of electric cooktops (including induction)	650

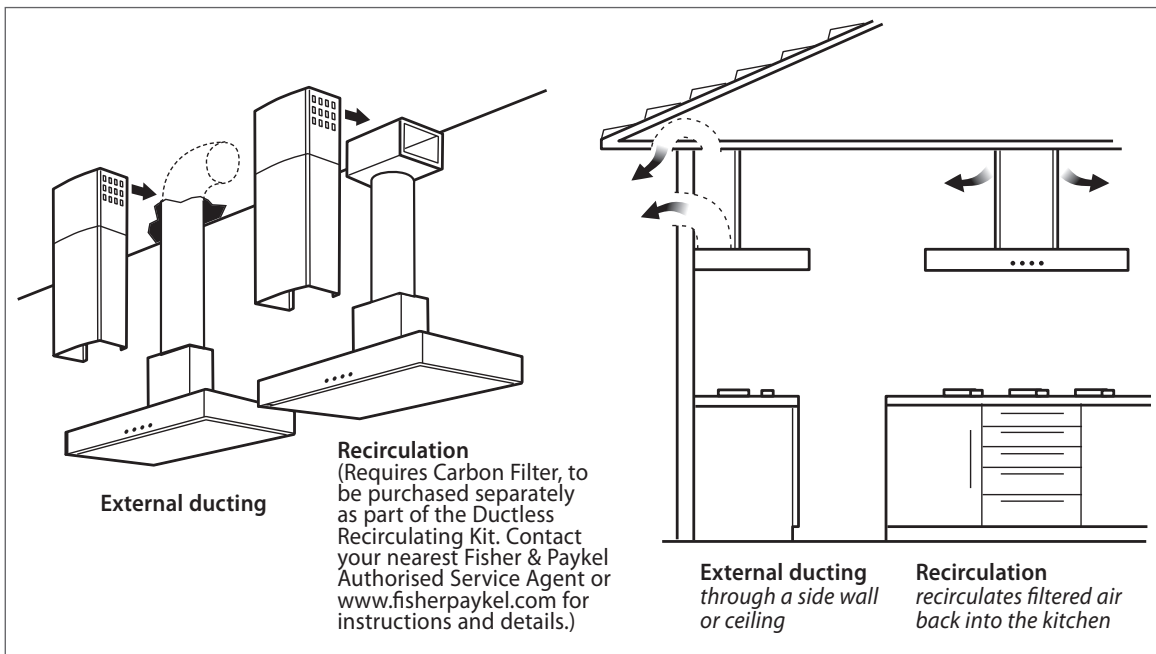
*Note: to ensure that the VentSurface is able to perform at its best, we recommend that the clearance between the VentSurface and the cooking surface does not exceed 800 mm.

④ PARTS SUPPLIED

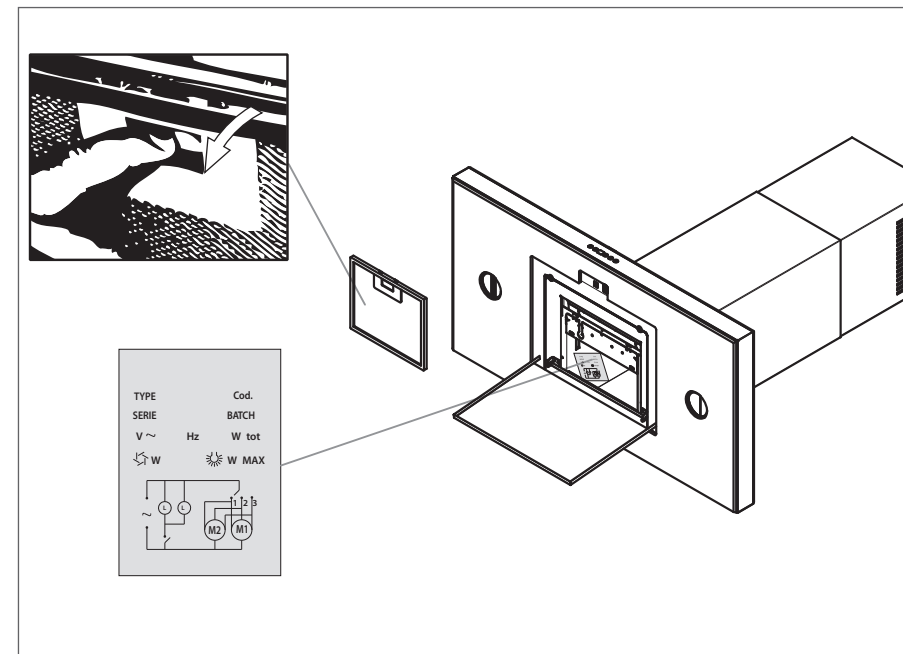


Note: ducting accessories, carbon filter and the Ductless Recirculating Kit are NOT supplied with your VentSurface but need to be purchased separately. They are available from your nearest Fisher & Paykel Authorised Service Agent or www.fisherpaykel.com.

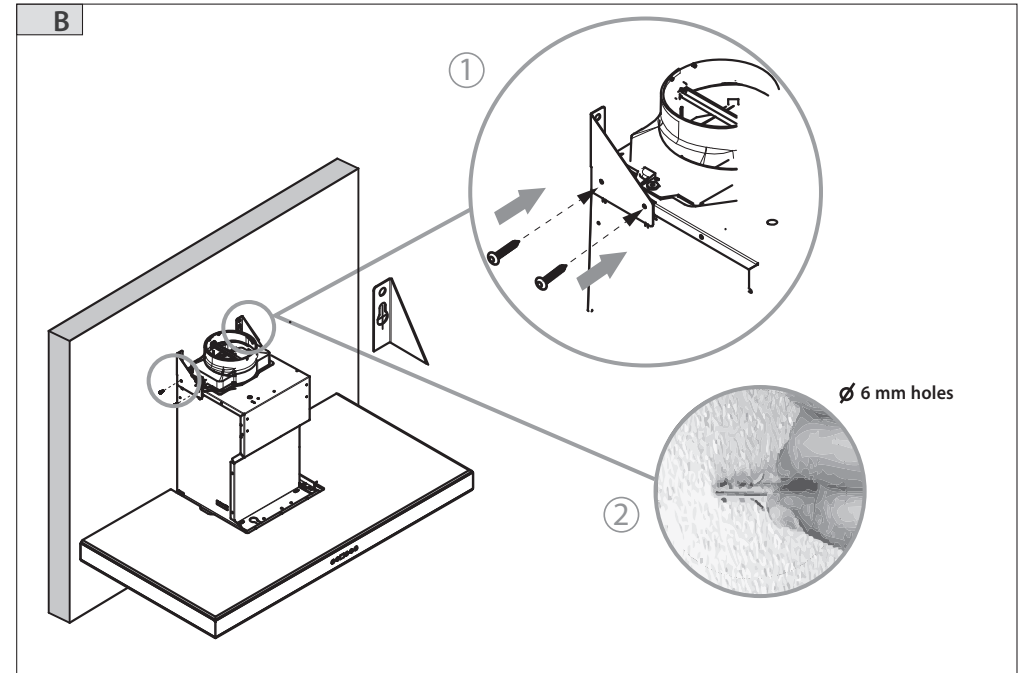
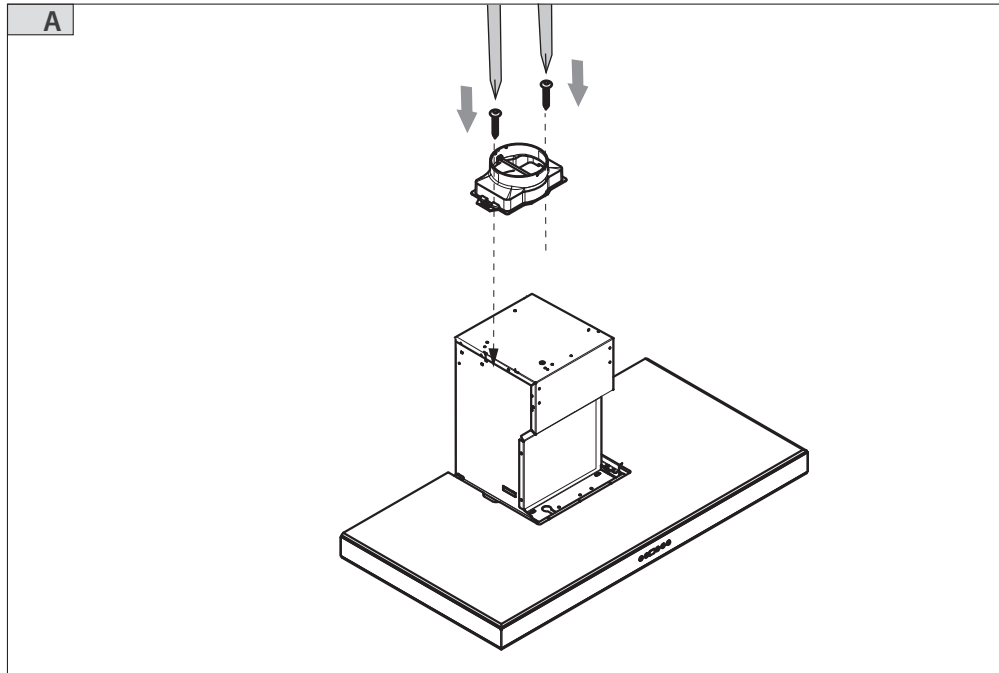
⑤ VENTILATION OPTIONS



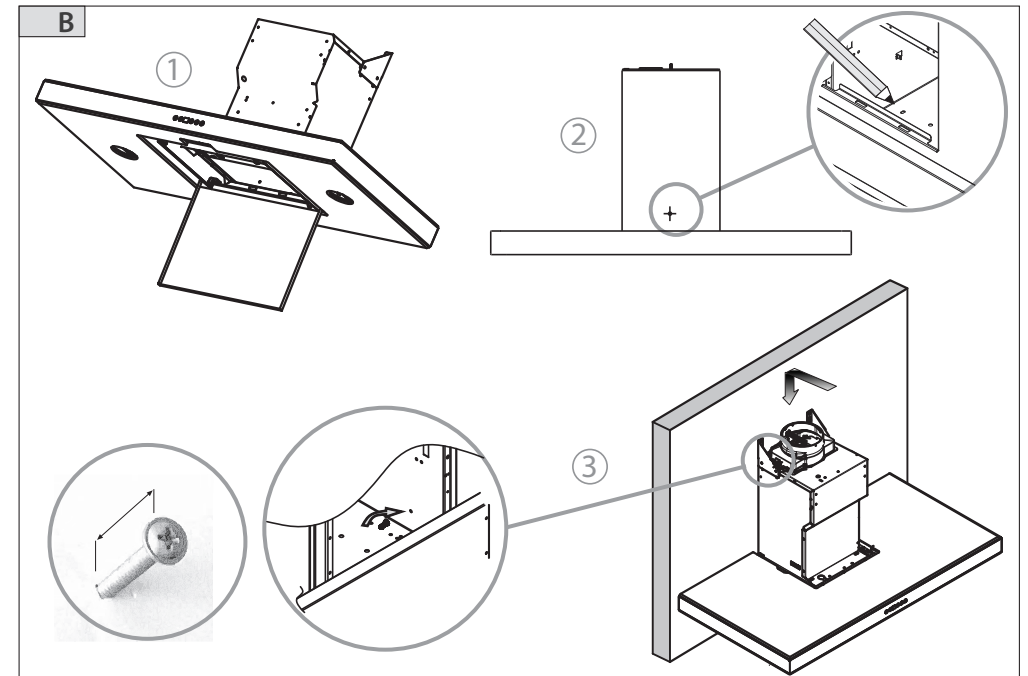
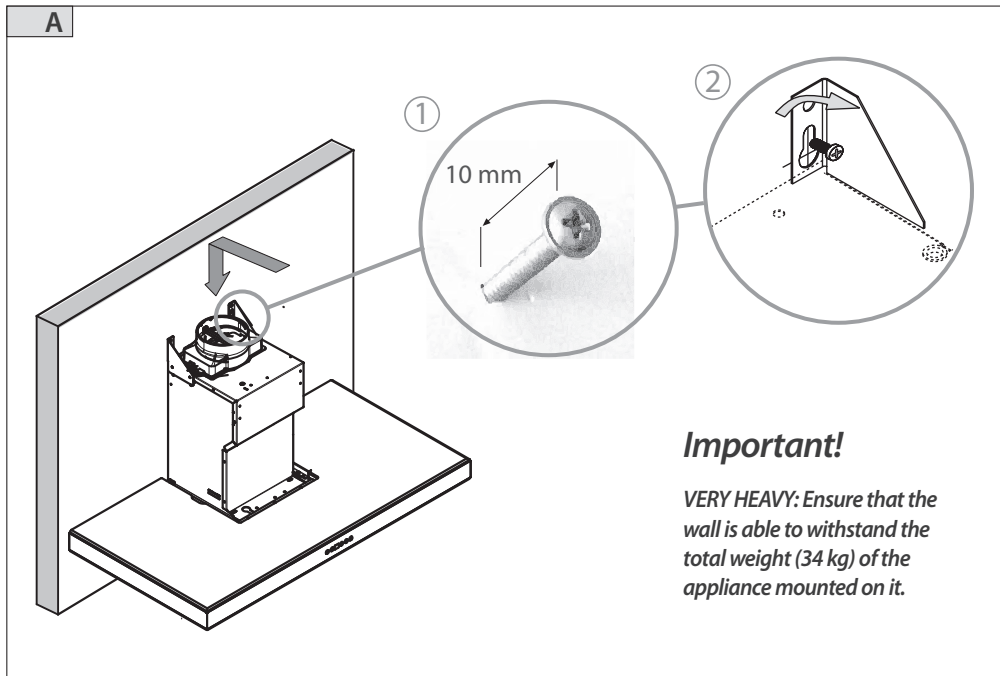
⑥ RATING PLATE LOCATION



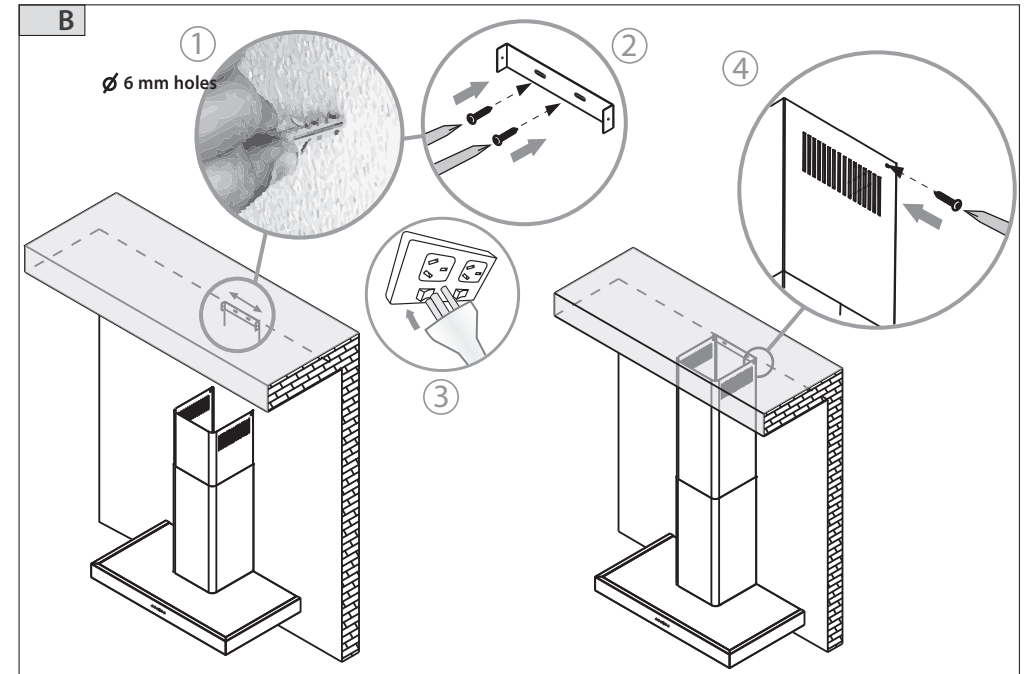
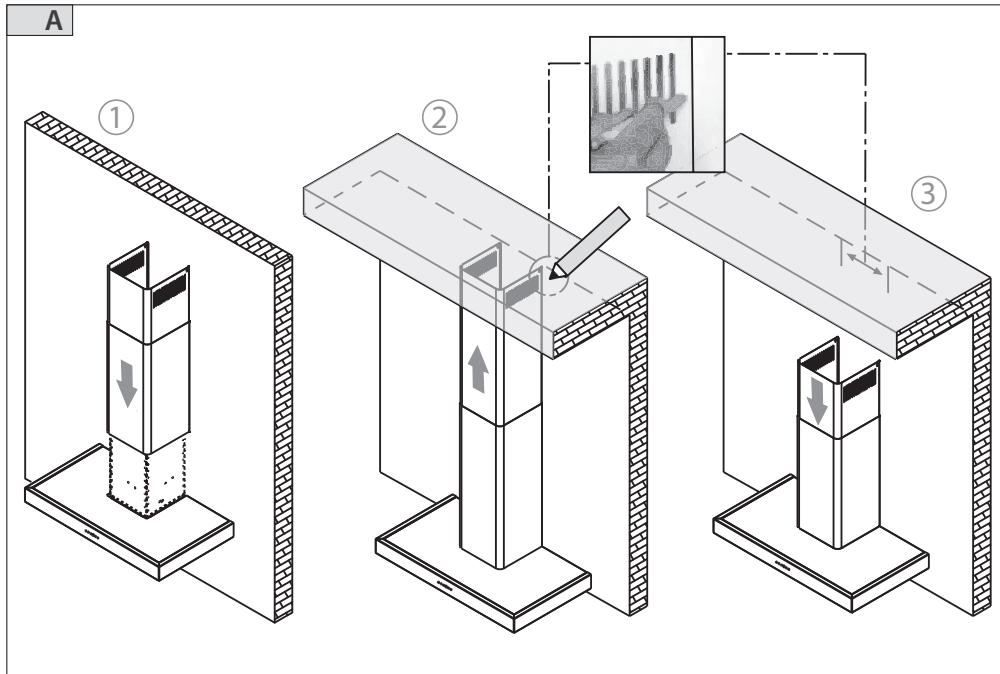
⑦ ATTACH PLASTIC VENT DUCT & ATTACH TRIANGULAR MOUNTING BRACKETS



⑧ MOUNT TRIANGULAR MOUNTING BRACKETS ONTO WALL USING FIXING SCREWS





⑨ FIX TOP MOUNTING BRACKET ONTO WALL & ATTACH FLUE COVER



10 OPTIMISING THE VENTSURFACE BY SELECTING COOKTOP TYPE

To ensure best performance, the type of cooktop under the VentSurface needs to be selected after installing the appliance.

To select the type of cooktop

- 1 Make sure the VentSurface is on stand-by (plugged into a power outlet which is switched on but the fan is off).
- 2 Press the  and  buttons simultaneously. A single horizontal segment will appear in the display.
- 3 Release and re-press the buttons simultaneously again to scroll through the types of cooktops:

Top segment – Gas

Middle segment – Induction

Bottom segment – Electric/Ceramic





Gas



Induction





Electric
Ceramic

- 4 To store the type of cooktop last selected, press the  or  button.

11 SELECTING FILTER MODE

After installation, the VentSurface has to be set to operate on aluminium mesh filter mode (if the extracted air is ducted outside) or carbon filter mode (if the extracted air is recirculated indoors).

To change between filter modes

- 1 Make sure the VentSurface is on stand-by (plugged into a power outlet which is switched on but the fan is off).
- 2 Press the  button.
- 3a The display will show the “-” symbol, indicating that the VentSurface is set to **aluminium mesh filter mode** (external ducting).
OR
- 3b The display will show the “C” symbol, indicating that the VentSurface is set to **carbon filter mode** (internal recirculation).
- 4 Press the  button and hold down for at least five seconds to change to the filter mode you want. The filter mode last selected will be activated.

12 FINAL CHECKLIST

TO BE COMPLETED BY THE INSTALLER



- Have you used the correct fixing screws?
- Have you used the wall anchors provided?
- Have you used the washers provided?
- Have you made sure that all standard requirements for ducting/ recirculation and electrical connection are met?
- Is the VentSurface set for the correct cooktop type and filter mode?
- Is there a means of disconnection from the mains electricity supply (disconnection switch or power outlet) accessible to the customer after installation?
- Have you removed the protective blue film from the stainless steel surfaces?
- Is the VentSurface earthed?

OPERATION:

- Have you informed the customer about the cleaning alerts?
- Have you demonstrated the basic operation to the customer?

Installer's name: _____

Installer's signature: _____

Installation company: _____

Date of installation: _____

LEAVE THESE INSTRUCTIONS WITH THE CUSTOMER